

LED LINEAR ACCESSORIES

ACCESSORY ORDERING INFORMATION (Accessories are field installed and damp location listed)

Description	Max Output ¹	Order Number	Description	Order Number
Non-Encased 100 Watt Power Supply with 120-277 VAC; 50/60 Hz Input; 24 VDC Output (Fig. 1)	100 W	PS 100 LED UE	LXLC/DL2 only	
Encased 40 Watt Power Supply with 120 VAC; 50/60 Hz Input; 24 VDC Output (Fig. 2)	40 W	PSE 40 LED 120	HRNSS 6" Jumper Cable with Male/Female connectors	35148301
Encased 100 Watt Power Supply with 120-277 VAC; 50/60 Hz Input; 24 VDC Output. UL listed (Fig. 3)	100 W	PSE 100 LED UE	HRNSS 1ft Jumper Cable with Male/Female connectors	35148302
Encased 100 Watt Power Supply with 120-277 VAC; 50/60 Hz Input; 24 VDC Output. CE listed (Fig. 3)	100 W	EUR PSE 100 LED UE	HRNSS 3ft Jumper Cable with Male/Female connectors	35148304
Encased 200 Watt Power Supply with 120-277 VAC; 50/60 Hz Input; 24 VDC Output. UL listed (Fig. 4) ²	200 W (100x2)	RB3 200 LED UE	HRNSS 5ft Jumper Cable with Male/Female connectors	35148305
Encased 300 Watt Power Supply with 120-277 VAC; 50/60 Hz Input; 24 VDC Output. UL listed (Fig. 5) ³	300 W (100x3)	RB3 300 LED UE	HRNSS 10 ft Jumper Cable with Male/Female connectors	35148303
Encased 400 Watt Power Supply with 120-277 VAC; 50/60 Hz Input; 24 VDC Output. UL listed (Fig. 5) ⁴	400 W (100x4)	RB3 400 LED UE		
Thermally Protected, Recessed Rated Encased 40 Watt Power Supply with 120 VAC; 50/60 Hz Input; 24 VDC Output. UL listed (Fig. 6)	40 W	RPSE 40 LED 120	LXLW only	
Thermally Protected, Recessed Rated Encased 100 Watt Power Supply with 120 VAC; 50/60 Hz Input; 24 VDC Output. UL listed (Fig. 7)	100 W	RPSE 100 LED 120	HRNSS 10ft Jumper Cable for LXLW	354875
Thermally Protected, Recessed Rated Encased 100 Watt Power Supply with 208 VAC; 50/60 Hz Input; 24 VDC Output. UL listed (Fig. 7)	100 W	RPSE 100 LED 208		
Thermally Protected, Recessed Rated Encased 100 Watt Power Supply with 240 VAC; 50/60 Hz Input; 24 VDC Output. UL listed (Fig. 7)	100 W	RPSE 100 LED 240		
Thermally Protected, Recessed Rated Encased 100 Watt Power Supply with 277 VAC; 50/60 Hz Input; 24 VDC Output. UL listed (Fig. 7)	100 W	RPSE 100 LED 277		

IMPORTANT POWER SUPPLY NOTE:
The power supplies are designed to work with the quick connects supplied with the LDL2/LXLC series or they can be hard wired with the LSL2 and LXLW. Depending on the mounting requirements, you may need additional cable length between fixtures/power supplies. Optional length harnesses (HRNSS) shown above are designed for use with the LDL2/LXLC series to connect fixtures to the enclosed power supplies. If additional cable is needed with the LSL2 and LXLW it will be customer supplied.

- FOOTNOTES:**
- 1- Damage to the power supply and unpredictable lighting can result from exceeding max output. It is good design practice to limit loading to 80% of maximum.
 - 2- Operates (2) 100 Watt Class II power supplies
 - 3- Operates (3) 100 Watt Class II power supplies
 - 4- Operates (4) 100 Watt Class II power supplies

FIG. 1 - PS100 (POWER SUPPLY ONLY)

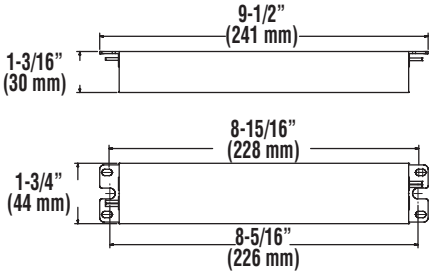


FIG. 2 - PSE40

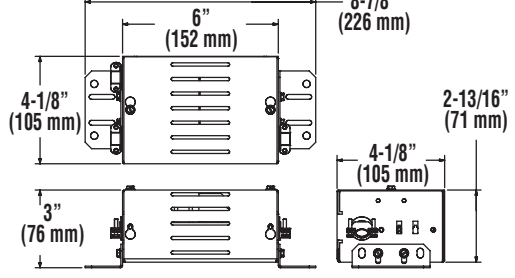


FIG. 3 - PSE100

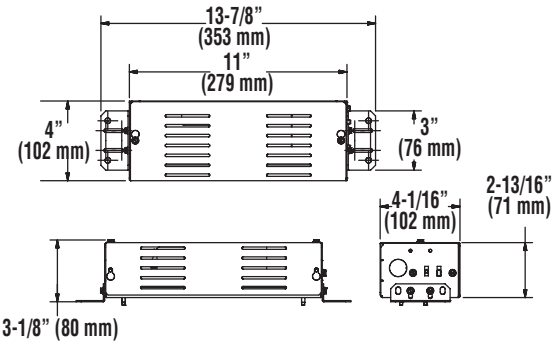


FIG. 4 - RB3 200

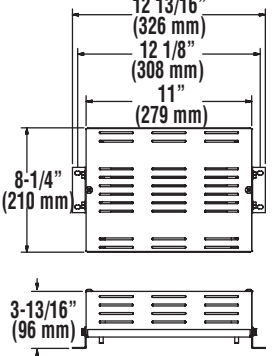


FIG. 5 - RB3 300/400

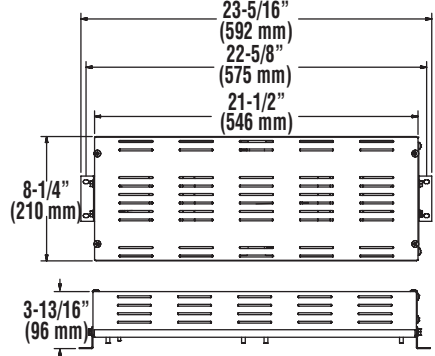


FIG. 6 - RPSE40

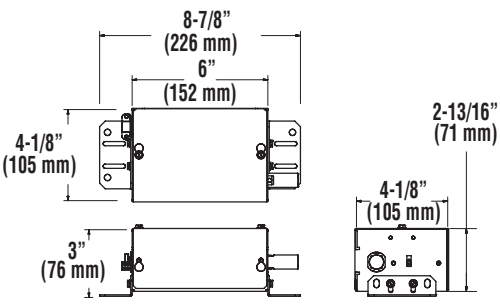
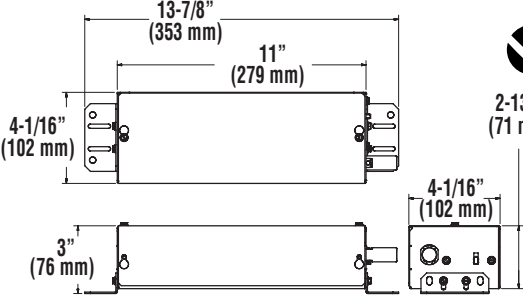


FIG. 7 - RPSE100



American Innovation
 American Made
ARRA
Funding Compliant

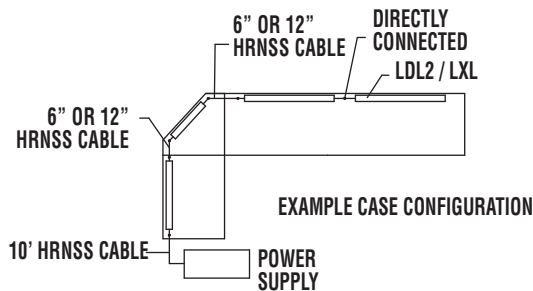
LED LINEAR ACCESSORIES

LXLC/LDL2 - LED LINEAR DISPLAY LIGHT TYPICAL WIRING

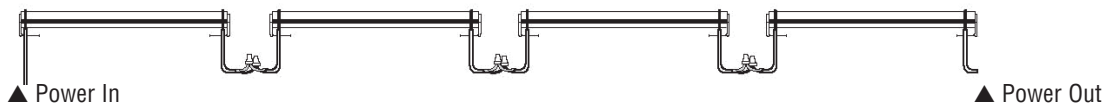
To connect the PSE or RB3 to the fixture, use the HRNSS 10 ft. Jumper Cable

Can be connected together 3 ways:

- 1- Directly using supplied quick connect plugs
- 2- HRNSS 6" jumper cable - provides up to 10" between fixtures
- 3- HRNSS 10' jumper cable - provides up to 124" between fixtures



LSL2 - LED LINEAR STRIP LIGHT TYPICAL WIRING



NOTE: Use gel filled wire nuts when connecting fixtures outdoors.

LXLW - LED LINEAR SIGN/WALL WASHER TYPICAL WIRING

